

4P00 Ultra-Lite™ Knee (TGK-4P00-P)

The Lightest Weight Knee in the Ultra-Reliable 4P00 Series.

The 4P00 Series of knees is known by Prosthetists and Amputees alike as the original reliable K3 solution. The 4P00 Ultra-Lite delivers decades of proven reliability to Amputees requiring a super compact & lite-weight knee option.

The stable 4-bar geometry and smooth, low energy requirement of its progressive dampening pneumatic cylinder will provide your Amputee with a safe, variable cadence gait long after the warranty period has ended.

Primary benefits:

- ✓ **Newly re-engineered DAW Pneumatics™ enable finer control of heel rise and extension dampening and require near-zero Amputee energy expenditure.**
- ✓ Decades of proven reliability.
- ✓ Adjustable Geometric Lock.
- ✓ Safe, natural toe-clearance in swing for added efficiency.
- ✓ Separate extension / flexion pneumatic dampening adjustments.
- ✓ Completely Maintenance Free.



Complete Info & Images @ daw-usa.com

Suggested L-Codes*

L5840

L5850

(See Full Suggested Coding Statement on pg. 53)

Knee Specifications:

Stock Number	TGK-4P00-P
Functional Level	K3
Amputation Level	TF or Bilateral TF
Weight Limit	245lb (111kg)
Knee Weight	1.68lb (764g)
Construction Material	Carbon Graphite
Build Height	(See Next Page)
Stability Control	Adjustable Geometric Lock
Swing Controls	Separate Pneumatic Extension / Flexion Dampening & Extension Assist Adjustment
Maximum Flexion Angle	Approx. 140°
Proximal Connection	M6 4-Hole Pattern or Single Hole for 7/16 Bolt (See Selector Chart, Next Page)
Distal Connection	30mm Tube Clamp
Warranty	2 years included, Upgrade for an Additional 3 Years

Order Includes:

- 1x** Swing Adjustment Wrench
- 1x** Practitioner's Manual
- 1x** Suggested L-Codes Letter

Recommended Foot:



K3 Pro-Action™ Foot w/ Multi-Axial Ankle

Full info on page 64

Recommended Rotator:



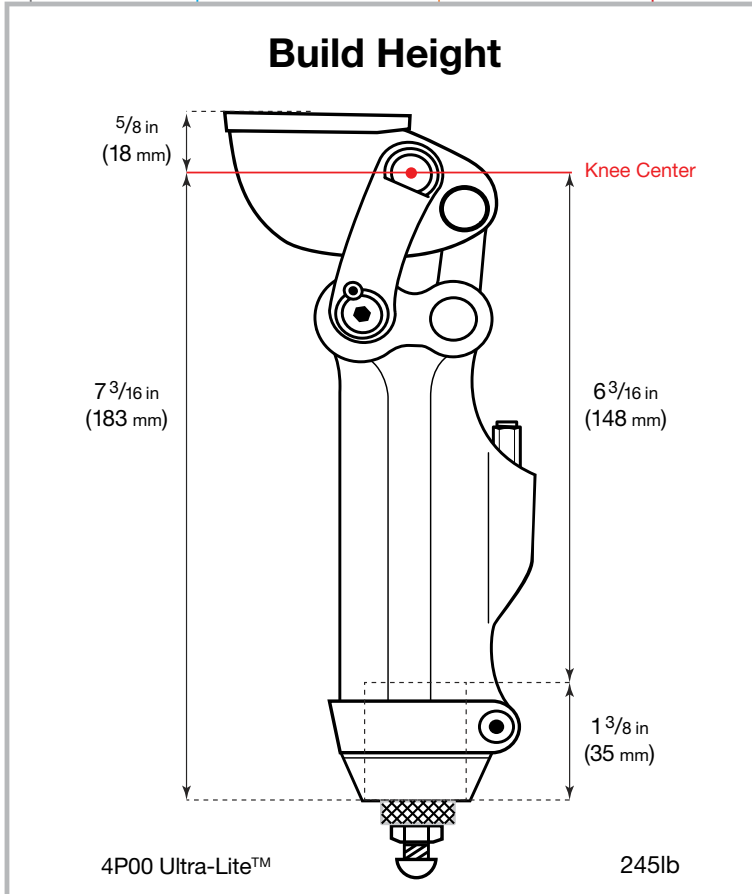
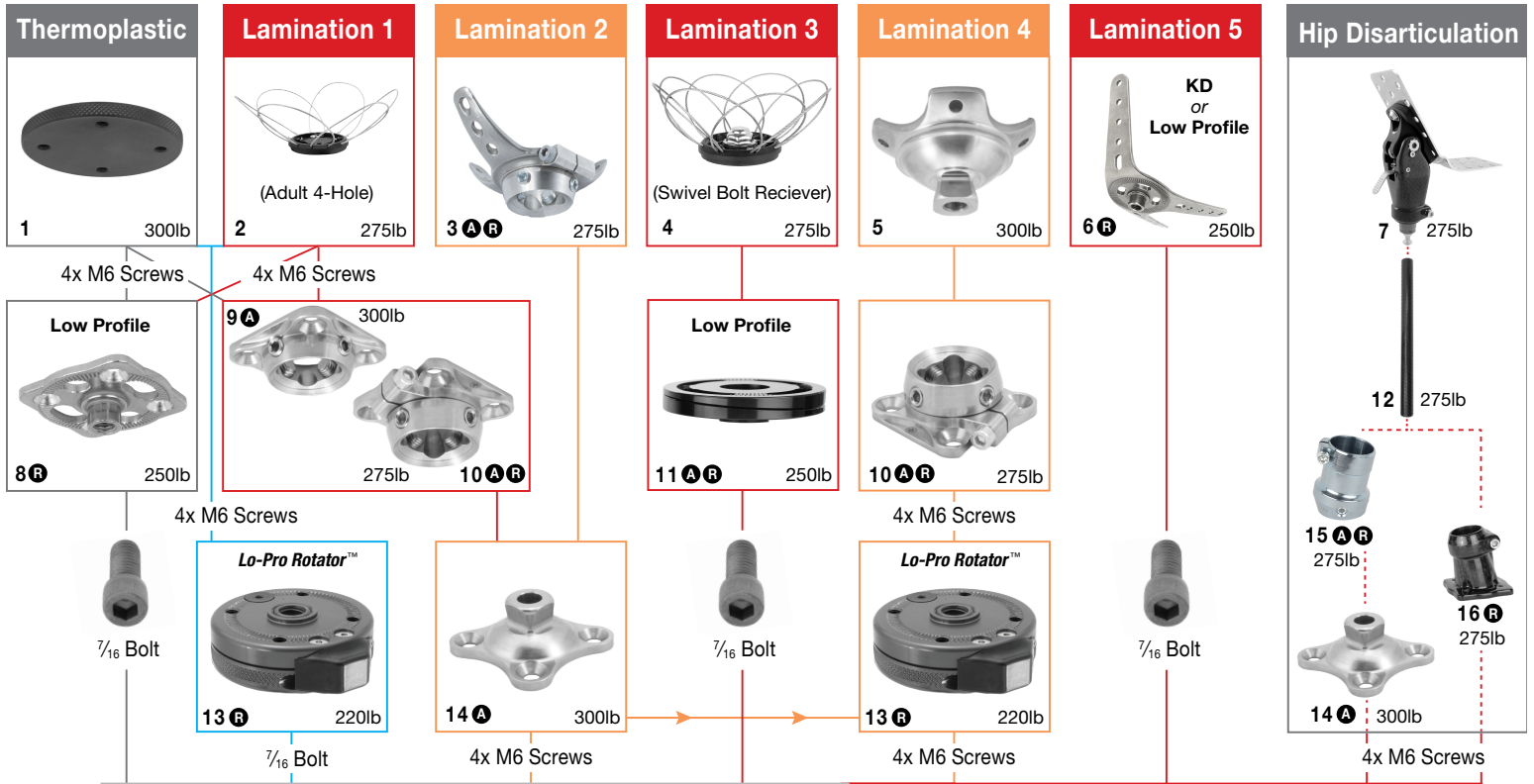
Lo-Pro Rotator™

Proximally Attach ANY 4-Hole Connector

Full info on page 82

4P00 Ultra-Lite™ Knee

Proximal Attachments Selector Chart



	STOCK	MATERIAL	FULL INFO
1	TSC-T	A	Pg. 75
2	TSC-BX	AA	Pg. 73
3	GUPS-FLAM3PRROT	S	Pg. 74
4	TSC-A	AA	Pg. 72
5	GUPT-MLAM	T	Pg. 73
6	TSC-KDL	S	Pg. 72
7	TGH-01	C	Pg. 56
8	TSC-PSDS	S	Pg. 83
9	GUPT-F4H	T	Pg. 79
10	GUPT-F4HROT	T	Pg. 79
11	TWP-A2A	AA	Pg. 82
12	TTG-14	C	Pg. 90
13	TKR-01	A	Pg. 82
14	GUPT-M4H	T	Pg. 78
15	GUPT-FCLAMP-ANG	T	Pg. 84
16	TGC-0A	C	Pg. 82

MATERIALS	ADJUSTABILITY
A = Aluminum Alloy	A = Angular
AA = Aerospace Aluminum	R = Rotational
C = Carbon Graphite	S = Sliding
S = Stainless Steel	
T = Titanium	