



4P00-HW™ Knee (TGK-4P00HW)

Proven Reliability for Highly Active Patients up to 300lbs.

Known by Prosthetists and Amputees as “Bulletproof” for its proven ability to withstand years of extreme impact from even the most active Amputees. The lite-weight but incredibly durable carbon fiber frame and smooth stainless-steel ball bearings will continue to provide safe, variable cadence gait long after the warranty period has ended.

Primary benefits:

- ✓ Newly re-engineered DAW Pneumatics™ enable finer control of heel rise and extension dampening and require near-zero Amputee energy expenditure.
- ✓ Decades of proven reliability.
- ✓ Safe, natural toe-clearance in swing for added efficiency.
- ✓ Separate extension / flexion pneumatic dampening adjustments.
- ✓ Completely Maintenance Free.
- ✓ Use any 4-hole connector as proximal attachment.

Suggested K3 L-Codes* **L5840** **L5850**

Suggested K4 L-Codes* **L5840** **L5930** **L5850**

Complete Info & Images @ daw-usa.com

(See Full Suggested Coding Statement on pg. 53)

Knee Specifications:

Stock Number	TGK-4P00HW
Functional Level	K3 / K4
Amputation Level	TF, Bilateral TF or Hip Disarticulation
Weight Limit	300lb (136kg)
Knee Weight	2lb (946g)
Construction Material	Carbon Graphite
Build Height	(See Next Page)
Stability Control	Adjustable Geometric Lock
Swing Controls	Separate Pneumatic Extension / Flexion Dampening & Extension Assist Adjustment
Maximum Flexion Angle	Approx. 140°
Proximal Connection	M6 4-Hole Pattern or Single Hole for 7/16 Bolt (See Selector Chart, Next Page)
Distal Connection	30mm Tube Clamp
Warranty	2 years included, Upgrade for an Additional 3 Years

Order Includes:

- 1x Swing Adjustment Wrench
- 1x Practitioner's Manual
- 1x Suggested L-Codes Letter

Recommended Foot:



**K3 Pro-Action™ Foot
w/ Multi-Axial Ankle**

Full info on page 64

Recommended Rotator:



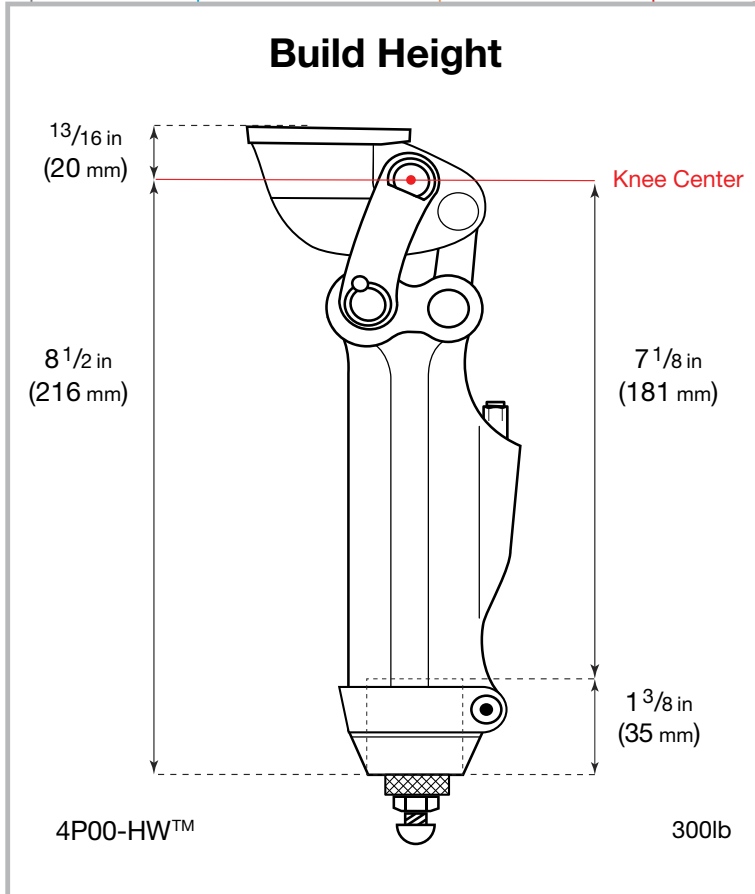
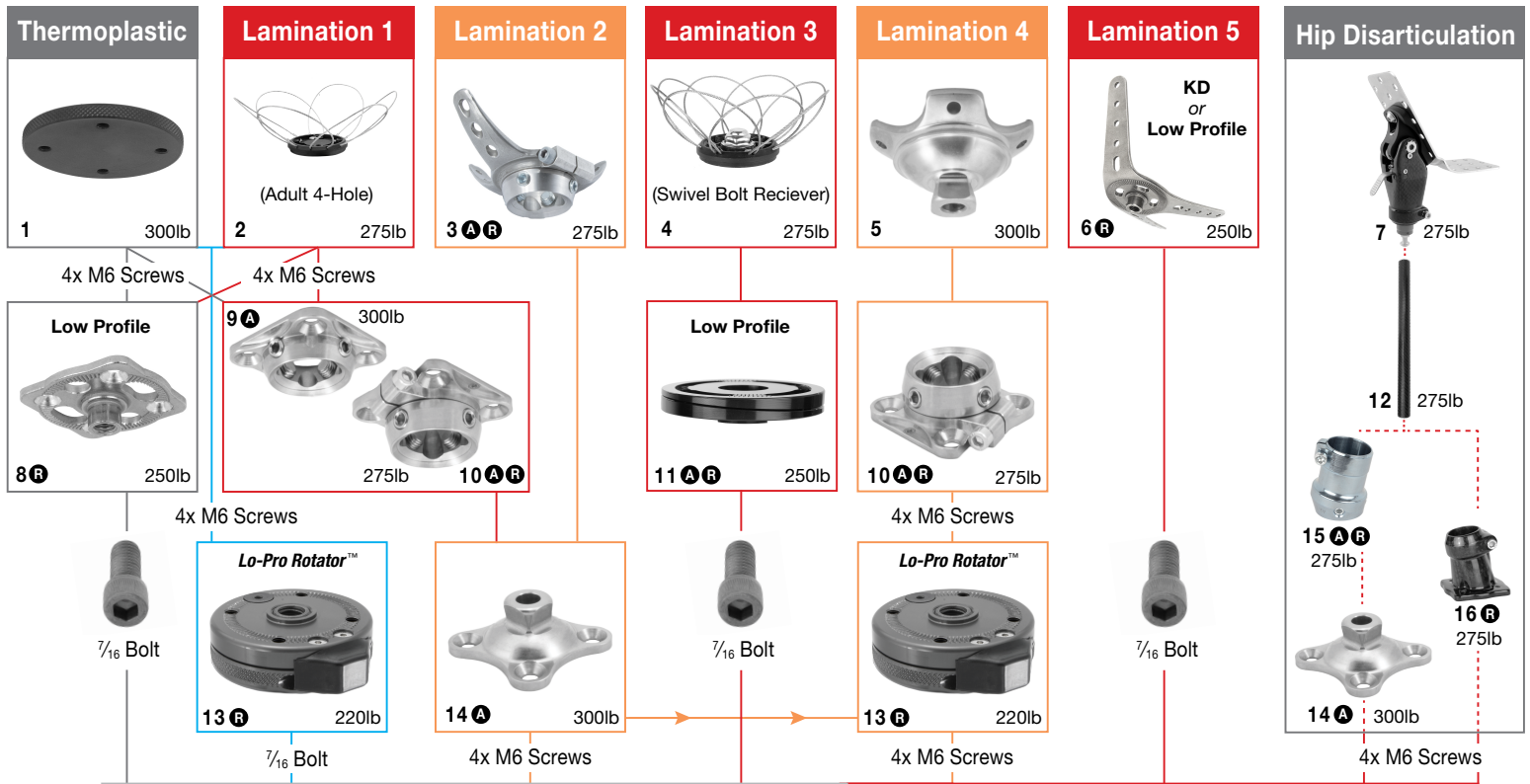
Lo-Pro Rotator™

Proximally Attach ANY
4-Hole Connector

Full info on page 82

4P00-HW™ Knee

Proximal Attachments Selector Chart



	STOCK	MATERIAL	FULL INFO
1	TSC-T	A	Pg. 75
2	TSC-BX	AA	Pg. 73
3	GUPS-FLAM3PRROT	S	Pg. 74
4	TSC-A	AA	Pg. 72
5	GUPT-MLAM	T	Pg. 73
6	TSC-KDL	S	Pg. 72
7	TGH-01	C	Pg. 56
8	TSC-PSDS	S	Pg. 83
9	GUPT-F4H	T	Pg. 79
10	GUPT-F4HROT	T	Pg. 79
11	TWP-A2A	AA	Pg. 82
12	TTG-14	C	Pg. 90
13	TKR-01	A	Pg. 82
14	GUPT-M4H	T	Pg. 78
15	GUPT-FCLAMP-ANG	T	Pg. 84
16	TGC-0A	C	Pg. 82

MATERIALS	ADJUSTABILITY
A = Aluminum Alloy	A = Angular
AA = Aerospace Aluminum	R = Rotational
C = Carbon Graphite	S = Sliding
S = Stainless Steel	
T = Titanium	