

50S0 Ultra-Lite™ Knee (TGK-50S0)

A Highly Adjustable, Exceptionally Light-Weight K2 5-Bar with Stance Flexion.

Aerospace Grade Carbon Fiber Construction makes the 50S0 Ultra-Lite one of the lightest-weight polycentric knees with stance flexion ever created. 2 precision stability adjustments and 3 precision swing adjustments allow for complete customization to your Patient's daily living requirements.

Primary benefits:

- ✓ **Whether your Patient is a new or experienced walker, a precision Stance Flexion adjustment (2° – 8°) allows heel-strike cushion to be fine-tuned to their confidence level.**
- ✓ **Heightened Stability at Heel Strike.** During Stance Flexion loading, DAW 5-Bar Knee Design shifts the Instant Center of Rotation (ICR) further posterior, maximizing geometric stability from heel strike to mid-stance.
- ✓ Without affecting your alignment, the **Custom-ICR™ Stability Adjustment** increases stability while also increasing efficiency.
- ✓ **Friction Adjustment with Forever-Setting™.** Unless desired, your original friction setting never needs future re-adjustment.
- ✓ Proven reliability, zero maintenance & forever-smooth stainless ball bearing axes.



Complete Info & Images @ daw-usa.com PDAC Approved L-Codes: **L5611** **L5845** **L5850**

Knee Specifications:

Stock Number	TGK-50S0
Functional Level	K2
Amputation Level	TF, Bilateral TF or Hip Disarticulation
Weight Limit	275lb (125kg)
Knee Weight	1.67lb (760g)
Construction Material	Carbon Graphite
Build Height	(See Next Page)
Stability Controls	Custom-ICR™ Stability Adjustment & Stance Flexion Stability Adjustment
Swing Controls	Friction Adjustment with Forever-Setting™, Extension Assist Adjustment & Swing Phase Trigger Adjustment
Maximum Flexion Angle	Approx. 155°
Proximal Connection	M6 4-Hole Pattern or Single Hole for 7/16 Bolt (See Selector Chart, Next Page)
Distal Connection	30mm Tube Clamp
Warranty	2 years included, Upgrade for an Additional 3 Years

Order Includes:

- 1x Practitioner's Manual
- 1x Suggested L-Codes Letter

Recommended Foot:



K2 Feather-Lite™ Foot w/ Multi-Axial Ankle

Full info on page 60

Recommended Rotator:



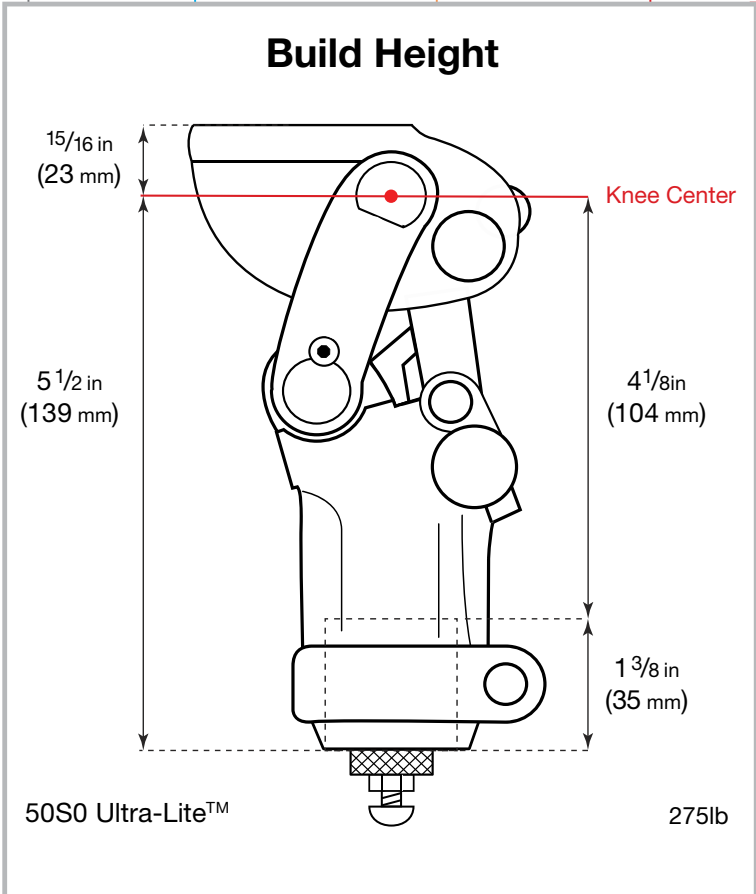
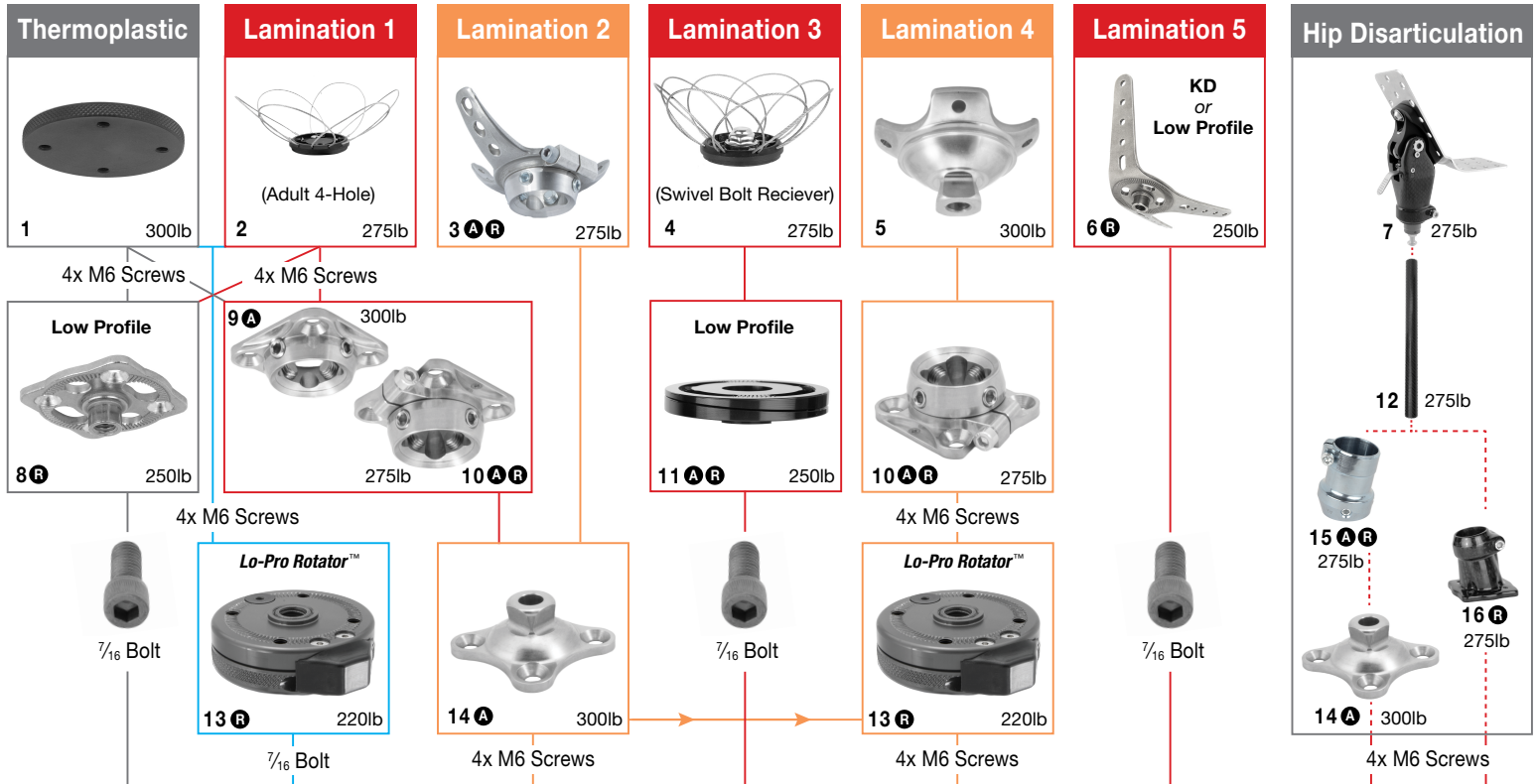
Lo-Pro Rotator™

Proximally Attach ANY 4-Hole Connector

Full info on page 82

50S0 Ultra-Lite™ Knee

Proximal Attachments Selector Chart



STOCK	MATERIAL	FULL INFO
1 TSC-T	A	Pg. 75
2 TSC-BX	AA	Pg. 73
3 GUPS-FLAM3PRROT	S	Pg. 74
4 TSC-A	AA	Pg. 72
5 GUPT-MLAM	T	Pg. 73
6 TSC-KDL	S	Pg. 72
7 TGH-01	C	Pg. 56
8 TSC-PSDS	S	Pg. 83
9 GUPT-F4H	T	Pg. 79
10 GUPT-F4HROT	T	Pg. 79
11 TWP-A2A	AA	Pg. 82
12 TTG-14	C	Pg. 90
13 TKR-01	A	Pg. 82
14 GUPT-M4H	T	Pg. 78
15 GUPT-FCLAMP-ANG	T	Pg. 84
16 TGC-0A	C	Pg. 82

MATERIALS	ADJUSTABILITY
A = Aluminum Alloy	A = Angular
AA = Aerospace Aluminum	R = Rotational
C = Carbon Graphite	S = Sliding
S = Stainless Steel	
T = Titanium	