

5PS0-HW™ Knee (TGK-5PS0HW)



A Highly Adjustable, Variable Cadence 5-Bar Knee with Stance Flexion.

Engineered to better conserve your active Patient's energy and strength throughout the day. 3 precision stability adjustments and 2 precision swing control adjustments provide complete customization to Patient requirements for security and freedom.

Primary benefits:

- ✓ **Newly re-engineered DAW Pneumatics™** enable finer control of heel rise and extension dampening and require near-zero Amputee energy expenditure.
- ✓ **Whether your Patient is a new or experienced walker, a precision Stance Flexion adjustment (2° - 8°)** allows heel-strike Cushion to be fine-tuned to your Patient's confidence level.
- ✓ **Heightened Stability at Heel Strike.** During Stance Flexion loading, DAW 5-Bar Knee Design shifts the Instant Center of Rotation (ICR) further posterior, maximizing geometric stability from heel strike to mid-stance.
- ✓ Without affecting your alignment, the **Custom-ICR™ Stability** Adjustment increases stability while also increasing efficiency.
- ✓ Proven reliability, zero maintenance & forever-smooth stainless ball bearing axes.

Suggested K3 L-Codes* L5840 L5845 L5848 L5850

Suggested K4 L-Codes* L5840 L5845 L5848 L5850 L5930

(See Full Suggested Coding Statement on pg. 53)

Order Includes:

- 1x Swing Adjustment Wrench
- 1x Practitioner's Manual
- 1x Suggested L-Codes Letter

Recommended Foot:



K3 Pro-Action™ Foot w/ Multi-Axial Ankle

Full info on page 64

Recommended Rotator:



Lo-Pro Rotator™

Proximally Attach ANY 4-Hole Connector

Full info on page 82

Knee Specifications:

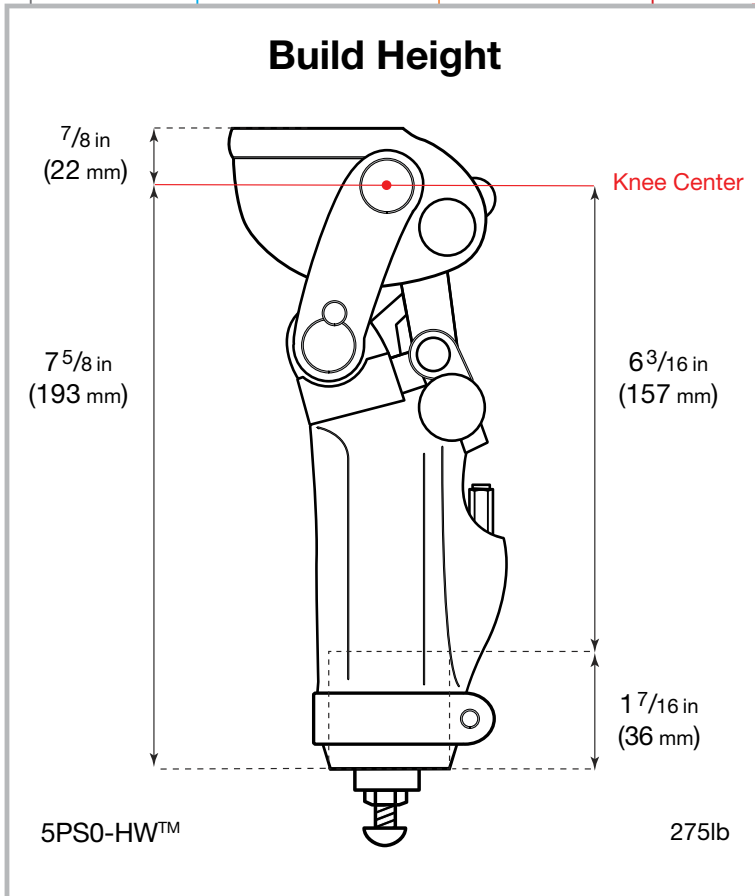
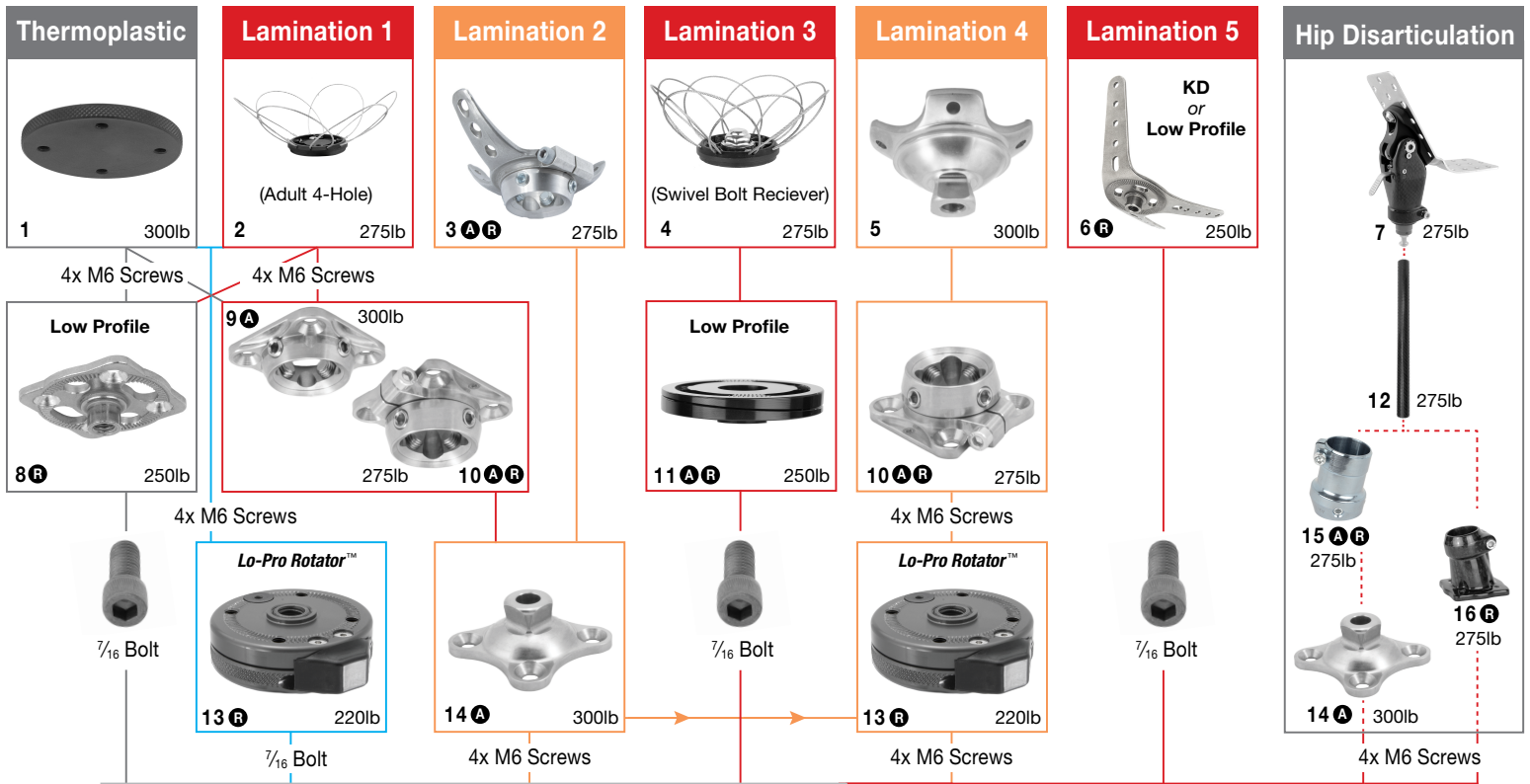
Stock Number	TGK-5PS0HW
Functional Level	K3 / K4
Amputation Level	TF, Bilateral TF or Hip Disarticulation
Weight Limit	275lb (125kg)
Knee Weight	2.1lb (963g)
Construction Material	Carbon Graphite
Build Height	(See Next Page)
Stability Controls	Custom-ICR™ Stability Adjustment & Stance Flexion Stability Adjustment
Swing Controls	Separate Pneumatic Extension / Flexion Dampening & Extension Assist Adjustment
Maximum Flexion Angle	Approx. 155°
Proximal Connection	M6 4-Hole Pattern or Single Hole for 7/16 Bolt (See Selector Chart, Next Page)
Distal Connection	30mm Tube Clamp
Warranty	2 years included, Upgrade for an Additional 3 Years



Orders (800) 252-2828 • Technical Support (800) 242-8669 • www.daw-usa.com

5PS0-HW™ Knee

Proximal Attachments Selector Chart



	STOCK	MATERIAL	FULL INFO
1	TSC-T	A	Pg. 75
2	TSC-BX	AA	Pg. 73
3	GUPS-FLAM3PRROT	S	Pg. 74
4	TSC-A	AA	Pg. 72
5	GUPT-MLAM	T	Pg. 73
6	TSC-KDL	S	Pg. 72
7	TGH-01	C	Pg. 56
8	TSC-PSDS	S	Pg. 83
9	GUPT-F4H	T	Pg. 79
10	GUPT-F4HROT	T	Pg. 79
11	TWP-A2A	AA	Pg. 82
12	TTG-14	C	Pg. 90
13	TKR-01	A	Pg. 82
14	GUPT-M4H	T	Pg. 78
15	GUPT-FCLAMP-ANG	T	Pg. 84
16	TGC-0A	C	Pg. 82

MATERIALS	ADJUSTABILITY
A = Aluminum Alloy	A = Angular
AA = Aerospace Aluminum	R = Rotational
C = Carbon Graphite	S = Sliding
S = Stainless Steel	
T = Titanium	