

4001™ “Original” Knee (TK-4001)

A Cost-Effective K2 4-Bar Knee with a Manual Lock.

Upon mastering swing phase, the Manual Lock can be permanently disengaged providing your Patient smooth, Polycentric toe-clearance through swing-phase and a stable Geometric Lock through stance-phase. The 4001 also suits your moderately active Patients who wish to have a manual lock for added stability during special activities.



Primary benefits:

- ✓ **Optionally disengage the Manual Lock permanently.**
- ✓ **Cost effective, durable Aluminum Alloy construction.**
- ✓ Adjustable friction swing control & extension assist.
- ✓ **Friction Adjustment with Forever-Setting™.** Unless desired, your original friction setting never needs future re-adjustment.
- ✓ Proven reliability, zero maintenance & forever-smooth stainless ball bearing axes.

Complete Info & Images @ daw-usa.com

Suggested L-Codes*

L5611

L5925

L5850

(See Full Suggested Coding Statement on pg. 53)

Knee Specifications:

Stock Number	TK-4001
Functional Level	K1 / K2
Amputation Level	TF, Bilateral TF or Hip Disarticulation
Weight Limit	220lb (100kg)
Knee Weight	1.94lb (882g)
Construction Material	Aerospace Aluminum
Build Height	(See Next Page)
Stability Controls	Geometric Stability Adjustment & Optional 30-Degree Flexion Stop
Swing Controls	Friction Adjustment with Forever-Setting™, Extension Assist Adjustment & Swing Phase Trigger Adjustment
Maximum Flexion Angle	Approx. 110°
Proximal Connection	M6 4-Hole Pattern or Single Hole for 7/16 Bolt (See Selector Chart, Next Page)
Distal Connection	30mm Tube Clamp
Warranty	2 years included, Upgrade for an Additional 3 Years

Order Includes:

- 1x** Manual Lock Release Assembly
- 1x** Practitioner's Manual
- 1x** Suggested L-Codes Letter

Recommended Foot:



K2 Feather-Lite™ Foot w/ Multi-Axial Ankle

Full info on page 60

Recommended Rotator:



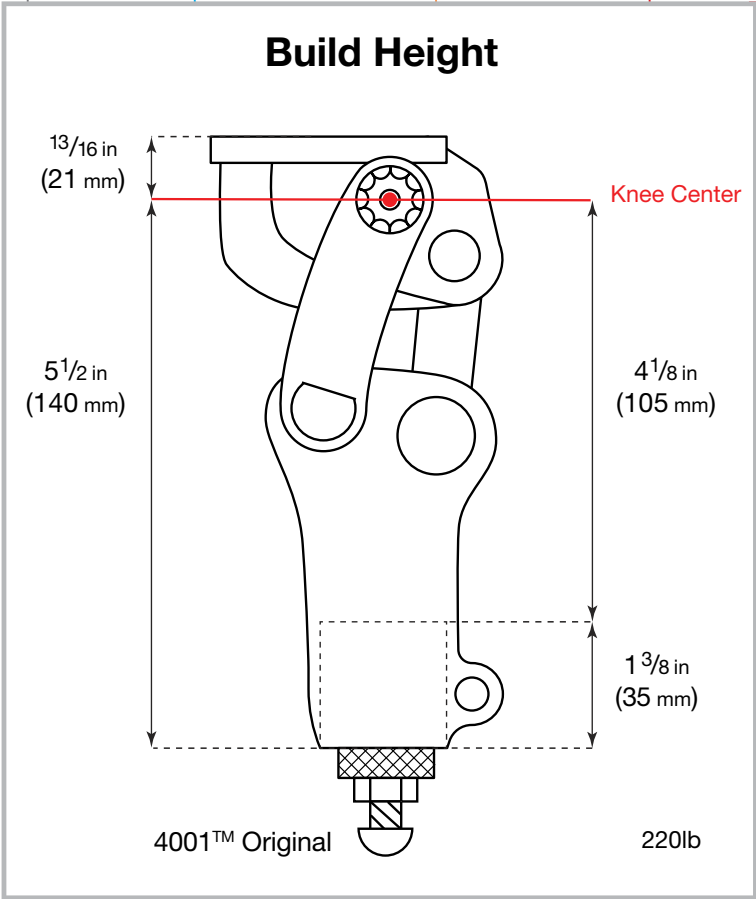
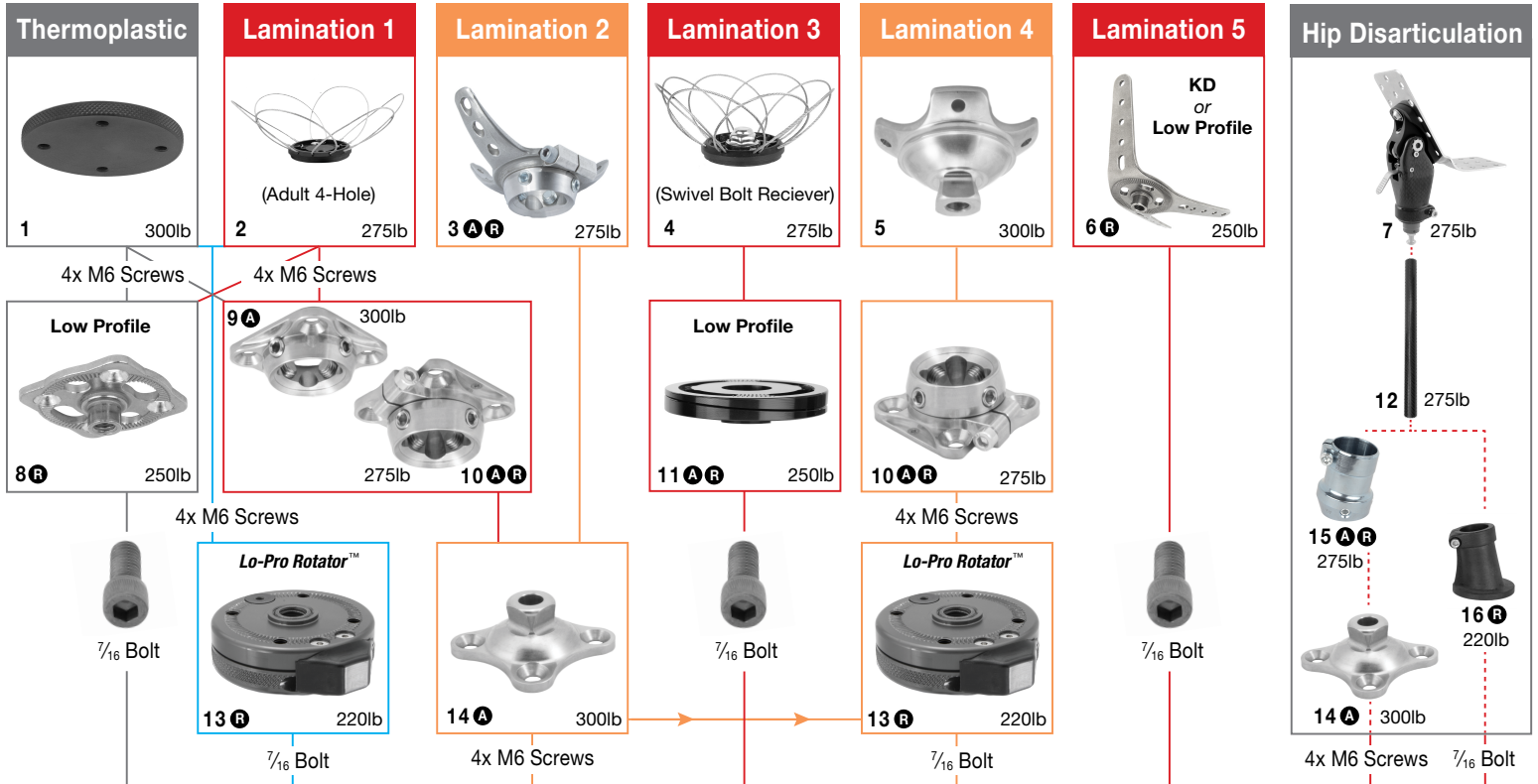
Lo-Pro Rotator™

Proximally Attach ANY 4-Hole Connector

Full info on page 82

4001™ “Original” Knee

Proximal Attachments Selector Chart



	STOCK	MATERIAL	FULL INFO
1	TSC-T	A	Pg. 75
2	TSC-BX	AA	Pg. 73
3	GUPS-FLAM3PRROT	S	Pg. 74
4	TSC-A	AA	Pg. 72
5	GUPT-MLAM	T	Pg. 73
6	TSC-KDL	S	Pg. 72
7	TGH-01	C	Pg. 56
8	TSC-PSDS	S	Pg. 83
9	GUPT-F4H	T	Pg. 79
10	GUPT-F4HROT	T	Pg. 79
11	TWP-A2A	AA	Pg. 82
12	TTG-14	C	Pg. 90
13	TKR-01	A	Pg. 82
14	GUPT-M4H	T	Pg. 78
15	GUPT-FCLAMP-ANG	T	Pg. 84
16	TKC-0A	C	Pg. 84

MATERIALS	ADJUSTABILITY
A = Aluminum Alloy	A = Angular
AA = Aerospace Aluminum	R = Rotational
C = Carbon Graphite	S = Sliding
S = Stainless Steel	
T = Titanium	