

4P00™ “Original” Knee (TK-4P00-P)

The Most Cost-Effective Knee in the Ultra-Reliable 4P00 Series.

The 4P00 Series of knees is known by Prosthetists and Amputees alike as the original reliable K3 solution. The 4P00™ delivers decades of proven reliability to the Amputee requiring a compact unit, and whose options may be restricted due to minimal coverage.

The stable 4-bar geometry and smooth, low energy requirement of its progressive dampening pneumatic cylinder will provide your Amputee with a safe, variable cadence gait long after the warranty period has ended.

Primary benefits:

- ✓ **Cost-effective, durable Aluminum Alloy construction.**
- ✓ Decades of proven reliability.
- ✓ Adjustable Geometric Lock.
- ✓ Safe, natural toe-clearance in swing for added efficiency.
- ✓ Separate extension / flexion pneumatic dampening adjustments.
- ✓ Completely Maintenance Free.



Complete Info & Images @ daw-usa.com **Suggested L-Codes*** **L5840** **L5850**
(See Full Suggested Coding Statement on pg. 53)

Knee Specifications:

Stock Number	TK-4P00-P
Functional Level	K3
Amputation Level	TF or Bilateral TF
Weight Limit	220lb (100kg)
Knee Weight	1.98lb (900g)
Construction Material	Aerospace Aluminum
Build Height	(See Next Page)
Stability Control	Adjustable Geometric Lock
Swing Controls	Separate Pneumatic Extension / Flexion Dampening & Extension Assist Adjustment
Maximum Flexion Angle	Approx. 140°
Proximal Connection	M6 4-Hole Pattern or Single Hole for 7/16 Bolt (See Selector Chart, Next Page)
Distal Connection	30mm Tube Clamp
Warranty	2 years included, Upgrade for an Additional 3 Years

Order Includes:

- 1x** Swing Adjustment Wrench
- 1x** Practitioner's Manual
- 1x** Suggested L-Codes Letter

Recommended Foot:



**K3 Pro-Action™ Foot
w/ Multi-Axial Ankle**

Full info on page 64

Recommended Rotator:



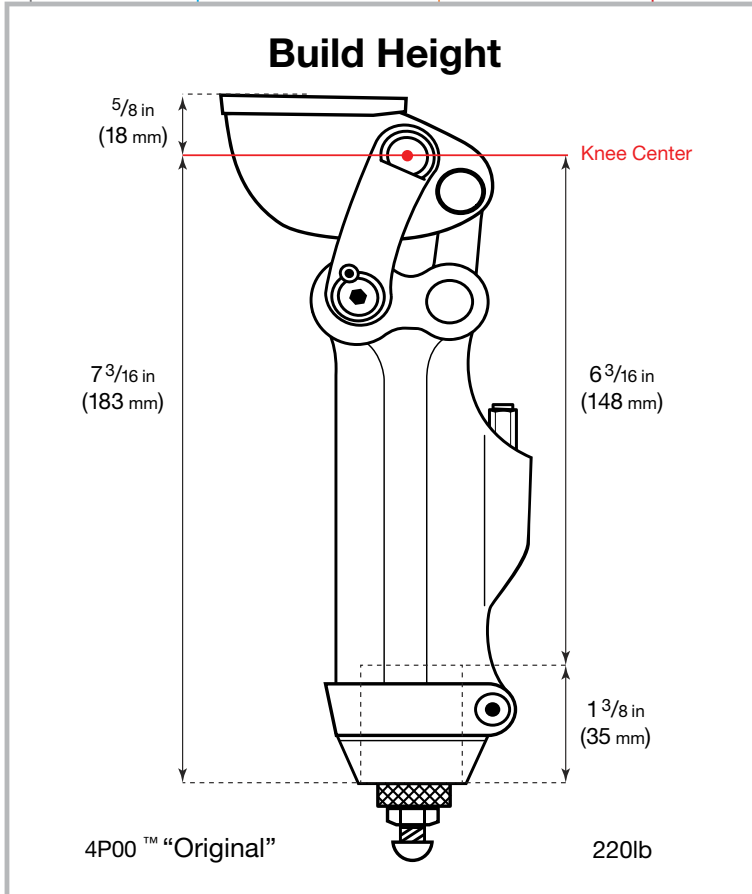
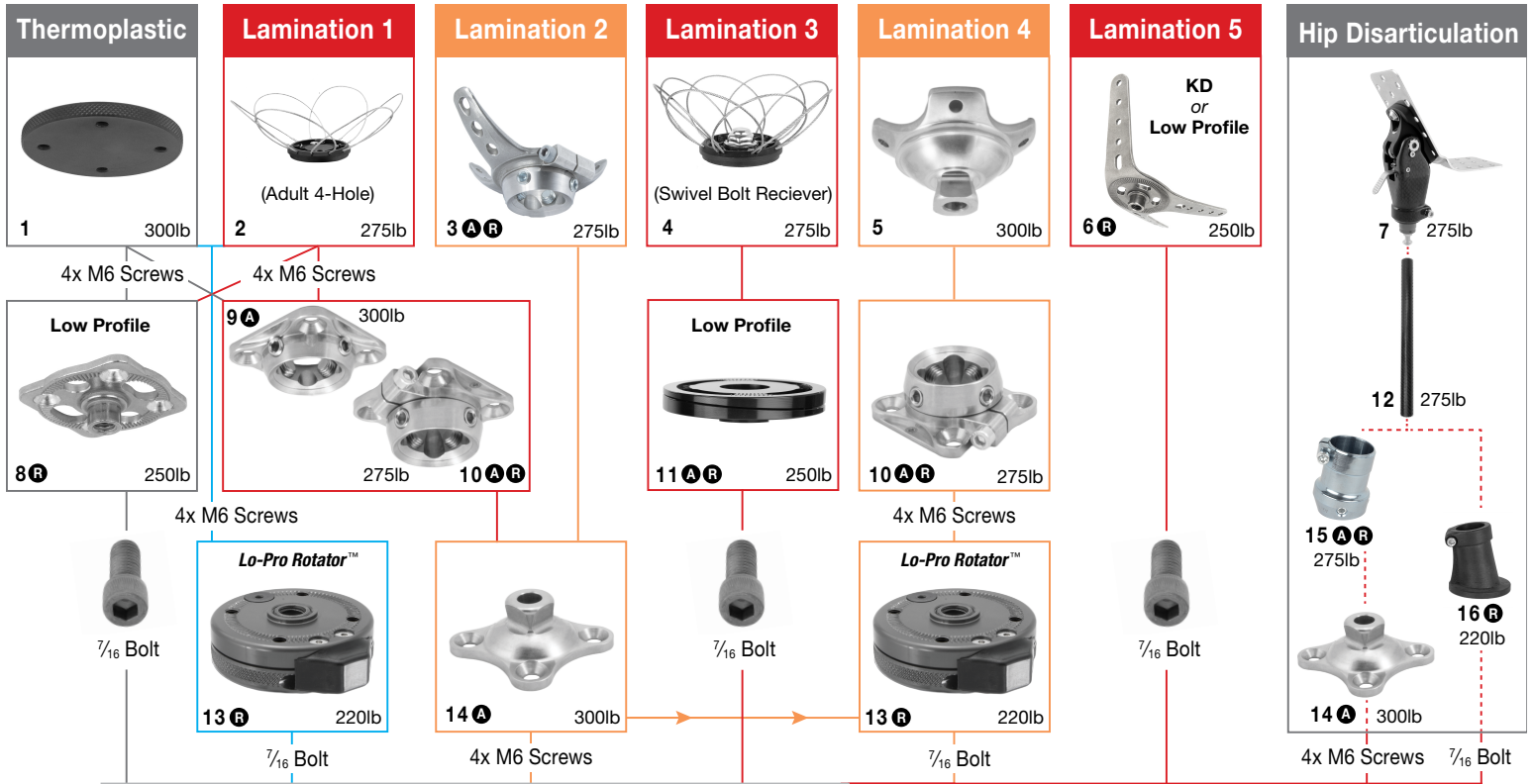
Lo-Pro Rotator™

Proximally Attach ANY
4-Hole Connector

Full info on page 82

4P00™ “Original” Knee

Proximal Attachments Selector Chart



	STOCK	MATERIAL	FULL INFO
1	TSC-T	A	Pg. 75
2	TSC-BX	AA	Pg. 73
3	GUPS-FLAM3PRROT	S	Pg. 74
4	TSC-A	AA	Pg. 72
5	GUPT-MLAM	T	Pg. 73
6	TSC-KDL	S	Pg. 72
7	TGH-01	C	Pg. 56
8	TSC-PSDS	S	Pg. 83
9	GUPT-F4H	T	Pg. 79
10	GUPT-F4HROT	T	Pg. 79
11	TWP-A2A	AA	Pg. 82
12	TTG-14	C	Pg. 90
13	TKR-01	A	Pg. 82
14	GUPT-M4H	T	Pg. 78
15	GUPT-FCLAMP-ANG	T	Pg. 84
16	TKC-0A	C	Pg. 84
MATERIALS		ADJUSTABILITY	
A	= Aluminum Alloy	A	= Angular
AA	= Aerospace Aluminum	R	= Rotational
C	= Carbon Graphite	S	= Sliding
S	= Stainless Steel		
T	= Titanium		