



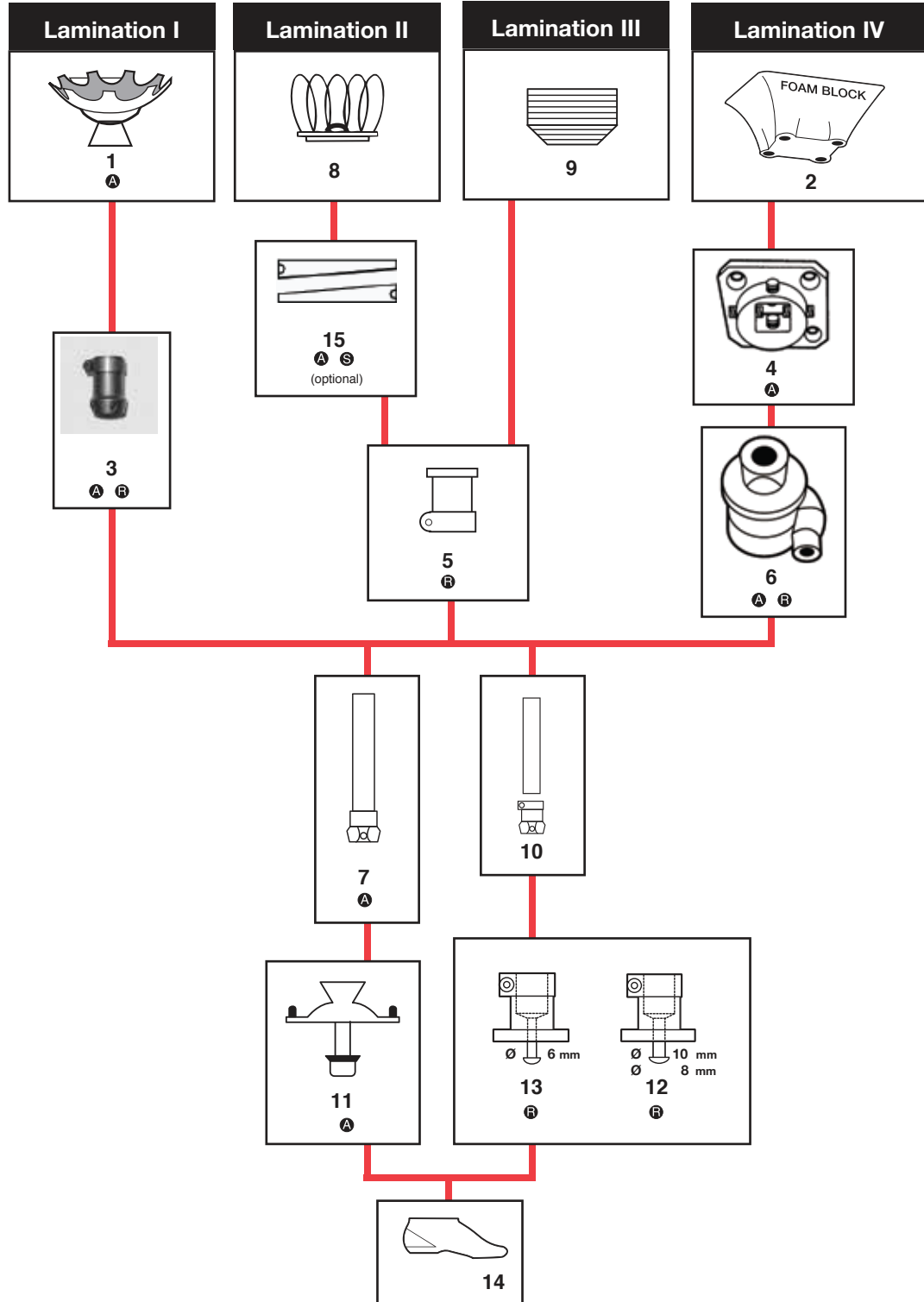
BK

SELECTOR CHART™

CHILD & ADOLESCENT SYSTEMS

STOCK NUMBERS

- 1. GUPAC-MLAM A
- 2. GUPC-FB F
- 3. GUPAC-FCLAMP ... A
- 4. GUPAC-F4H A
- 5. TGC-Ø A
- 6. GUPAC-MCLAMP .. A
- 7. GUPAC-FPLYON-6 P
- 8. TSC-WC A
- 9. TWB-C W
- 10. TTC-15 (15 IN) A
- 11. GUPAC-SACH-8M A
- 12. TAC-ØA (Ø 10MM) A
- TAC-ØW (Ø 8MM) A
- 13. TAC-Ø Ø (Ø 6MM) A
- 14. TFF-ØCXXR/L F
- 15. TWP-C2 P



- A = Angular Adjust
- R = Rotation
- S = Slide Adjust
- A = Aluminum Alloy
- AA = Aerospace Aluminum
- F = Foam
- G = Graph-Lite™
- P = Plastic
- S = Stainless
- T = Titanium
- W = Wood



DAW INDUSTRIES

