

## 50S1™ “Original” Knee (TK-50S1)

### Stance Flexion 5-Bar Knee with a Manual Lock. Durable & Cost-Effective Construction.

Stance Flexion at a fraction of the cost! 2 precision stability adjustments and 3 precision swing adjustments allow for complete customization to your Patient’s daily living requirements. Proximally attach ANY adult 4-hole connector (see Selector Chart).



#### Primary benefits:

- ✓ **Whether your Patient is a new or experienced walker, a precision Stance Flexion adjustment (2° – 8°) allows heel-strike cushion to be fine-tuned to their confidence level.**
- ✓ **Stability heightens at the critical moment of heel strike.** DAW 5-Bar Knee Design momentarily shifts the Instant Center of Rotation (ICR) further posterior providing a much safer stance phase.
- ✓ **Optionally disengage the Manual Lock as soon as your patient’s progress permits.** Once disengaged, your patient benefits from Stance Flexion and the unmatched stability of DAW’s 5-Bar Design.
- ✓ **Without affecting your alignment, the Custom-ICR™ Stability Adjustment increases stability while also increasing efficiency.**
- ✓ **The Friction Swing Control Setting auto-readjusts.** No readjustments is required down the line as friction surfaces wear.
- ✓ **Proven reliability, zero maintenance & forever-smooth stainless ball bearing axes.**

#### Suggested L-Codes\* **L5611** **L5845** **L5850** **L5925**

(\*See Full Suggested Coding Statement on Pg. 53)

#### Knee Specifications:

Stock Number	TK-50S1
Functional Level	K2
Amputation Level	TF, Bilateral TF or Hip Disarticulation
Weight Limit	275lb (125kg)
Knee Weight	1.97lb (987g)
Stability Controls	Custom-ICR™ Stability Adjustment, Stance Flexion Stability Adjustment, Manual Lock w/ Cable Release
Swing Controls	Friction Adjustment with Forever-Setting™, Extension Assist Adjustment, Swing Phase Trigger Adjustment
Maximum Flexion Angle	Approx. 155°
Proximal Connection	Any Adult 4-Hole connector (See Selector Chart)
Distal Connection	30mm Tube Clamp
Warranty	2 years included, Upgrade for an Additional 3 Years

#### Order Includes:

- 1x Practitioner’s Manual
- 1x Suggested L-Codes Letter

#### Recommended Foot:

##### Featherlite-E™ K2 Foot w/ Multi-Axial Ankle

Full info on page 60



#### Recommended Rotator:

##### Lo-Pro Rotator™

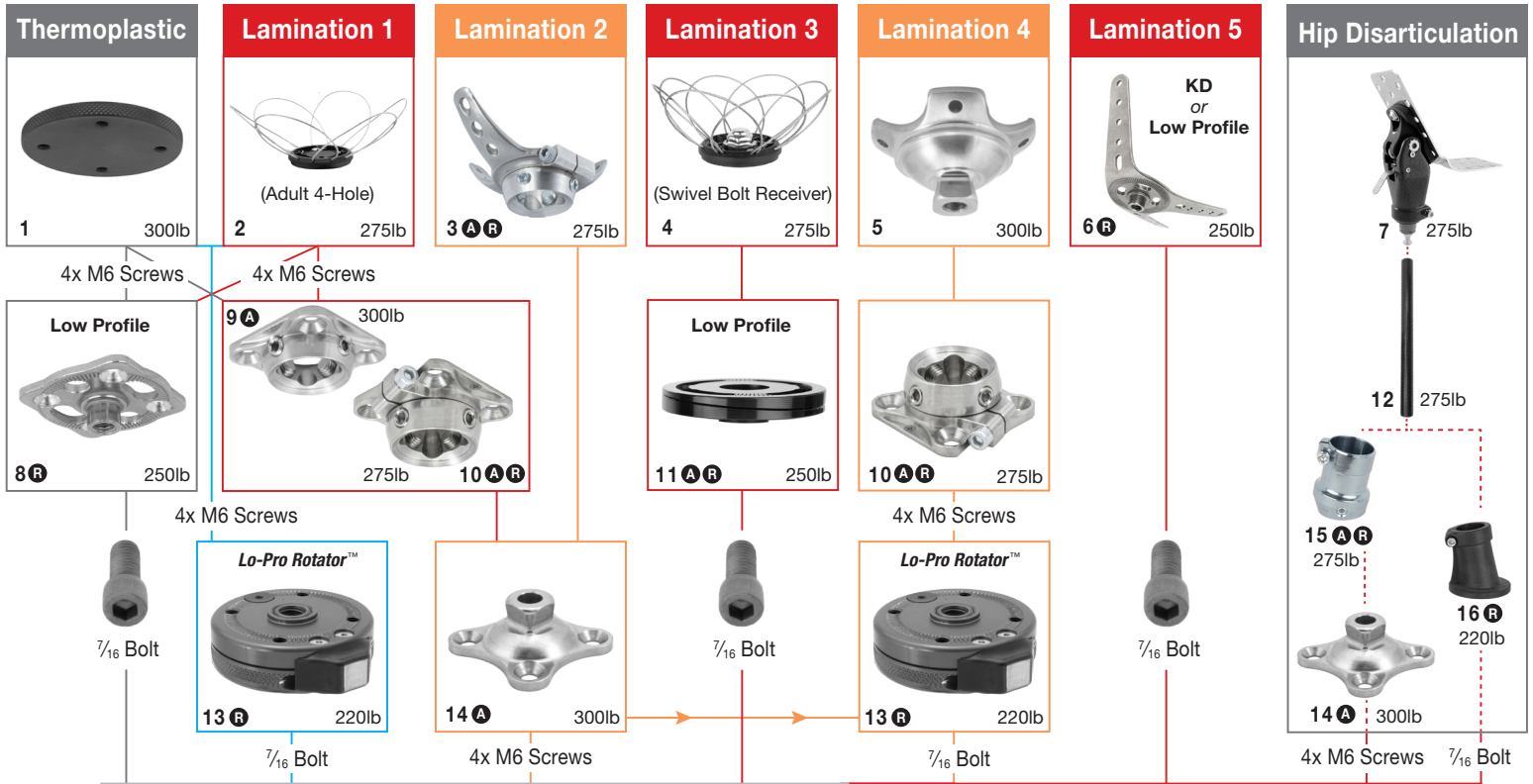
Proximally Attach ANY  
4-Hole Connector

Full info on page 82

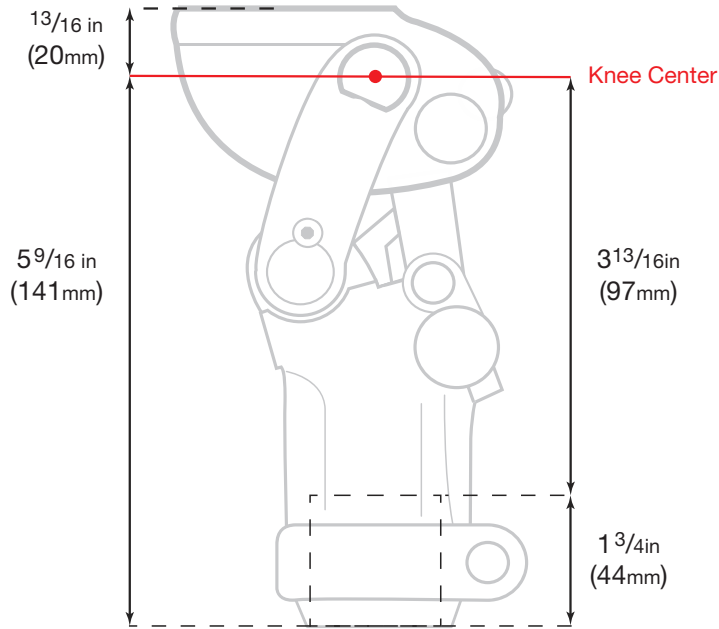


# 50S1™ “Original” Knee

## Proximal Attachments Selector Chart



### Build Height



50S1™ Original

	STOCK	MATERIAL	FULL INFO
1	TSC-T	A	Pg. 75
2	TSC-BX	AA	Pg. 73
3	GUPS-FLAM3PRROT	S	Pg. 74
4	TSC-A	AA	Pg. 72
5	GUPT-MLAM	T	Pg. 73
6	TSC-KDL	S	Pg. 72
7	TGH-01	C	Pg. 56
8	TSC-PSDS	S	Pg. 83
9	GUPT-F4H	T	Pg. 79
10	GUPT-F4HROT	T	Pg. 79
11	TWP-A2A	AA	Pg. 82
12	TTG-14	C	Pg. 90
13	TKR-01	A	Pg. 82
14	GUPT-M4H	T	Pg. 78
15	GUPT-FCLAMP-ANG	T	Pg. 84
16	TKC-0A	C	Pg. 84

MATERIALS	ADJUSTABILITY
A = Aluminum Alloy	A = Angular
AA = Aerospace Aluminum	R = Rotational
C = Carbon Graphite	S = Sliding
S = Stainless Steel	
T = Titanium	