

30°-Stop™ “Original” Knee (TK-4002)

Better Security in the Mind of Your Patient & a Better Gait from Day 1!

Without the possibility of knee buckling, a better sense of security and confidence is established from day 1 of gait training. The 30°-Stop Ultra-Lite features a simple, but extremely secure safety mechanism - knee flexion can go no further than 30-degrees (manual release to sit). Build confidence faster and reduce gait abnormality development in your new Amputee!

Primary benefits:

- ✓ **New Amputees develop stronger trust in their prosthesis from day 1.**
- ✓ **Polycentric shortening in swing-phase minimizes the development of habitual hip hiking and vaulting, the unavoidable effects of gait training with a monocentric knee.**
- ✓ Permanently disengage the 30-degree stop when your Patient’s improved capability requires full knee flexion.
- ✓ **Friction Adjustment with Forever-Setting™.** Unless desired, your original friction setting never needs future re-adjustment.
- ✓ Proven reliability, zero maintenance & forever-smooth stainless ball bearing axes.



Complete Info & Images @ daw-usa.com

Suggested L-Codes*

L5611

L5925

L5850

(See Full Suggested Coding Statement on pg. 53)

Knee Specifications:

Stock Number	TK-4002
Functional Level	K1 / K2
Amputation Level	TF, Bilateral TF or Hip Disarticulation
Weight Limit	220lb (100kg)
Knee Weight	1.94lb (882g)
Construction Material	Aerospace Aluminum
Build Height	(See Next Page)
Stability Controls	Geometric Stability Adjustment & Optional 30-Degree Flexion Stop
Swing Controls	Friction Adjustment with Forever-Setting™, Extension Assist Adjustment & Swing Phase Trigger Adjustment
Maximum Flexion Angle	Approx. 110°
Proximal Connection	M6 4-Hole Pattern or Single Hole for 7/16 Bolt (See Selector Chart, Next Page)
Distal Connection	30mm Tube Clamp
Warranty	2 years included, Upgrade for an Additional 3 Years

Order Includes:

- 1x** Manual Flexion Stop Release Assembly
- 1x** Practitioner’s Manual
- 1x** Suggested L-Codes Letter

Recommended Foot:



K2 Feather-Lite™ Foot w/ Multi-Axial Ankle

Full info on page 60

Recommended Rotator:

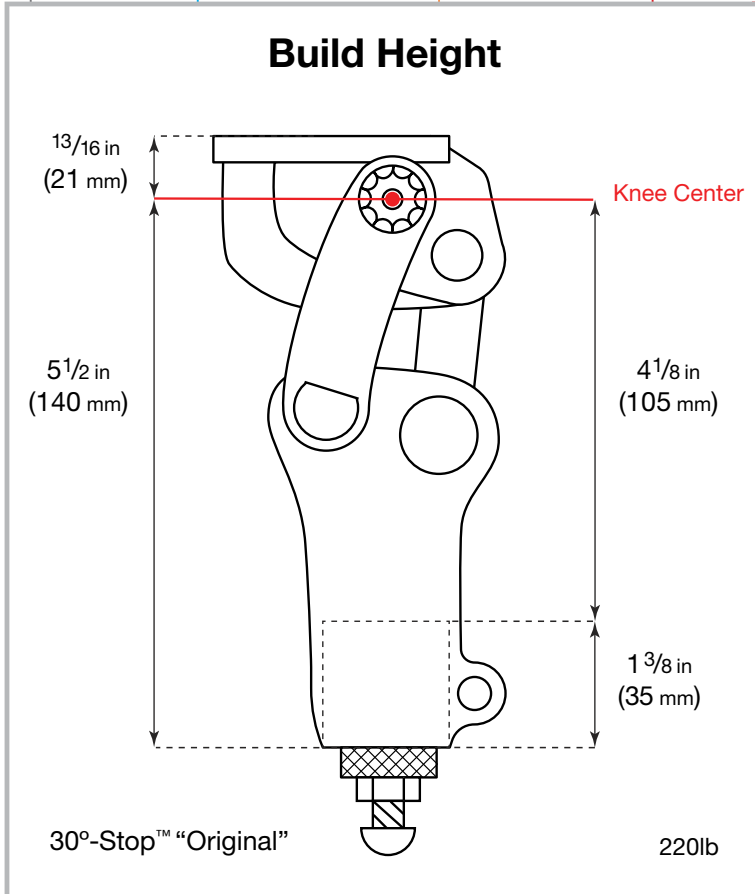
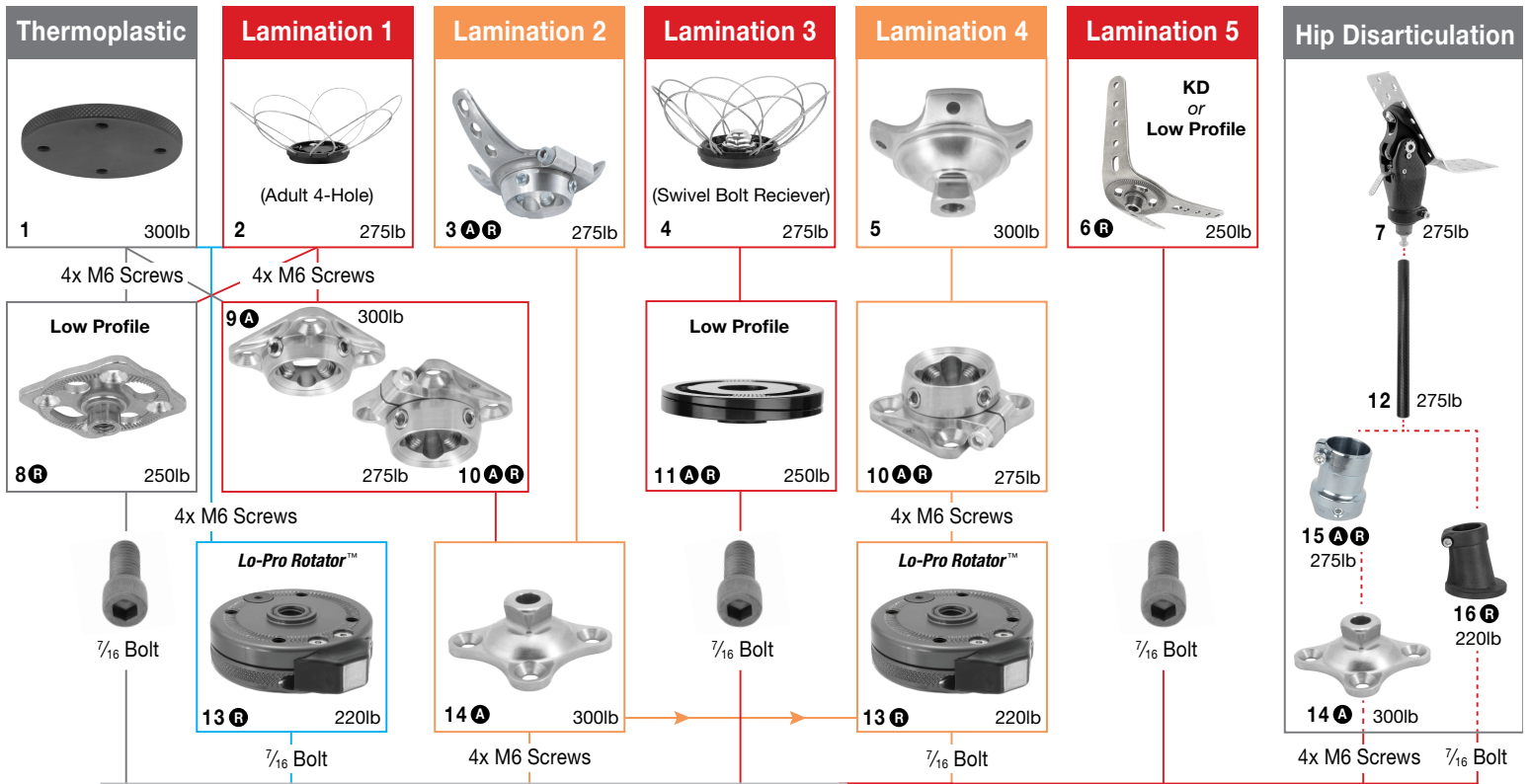


Lo-Pro Rotator™

Proximally Attach ANY 4-Hole Connector

Full info on page 82

30°-Stop™ “Original” Knee Proximal Attachments Selector Chart



	STOCK	MATERIAL	FULL INFO
1	TSC-T	A	Pg. 75
2	TSC-BX	AA	Pg. 73
3	GUPS-FLAM3PRROT	S	Pg. 74
4	TSC-A	AA	Pg. 72
5	GUPT-MLAM	T	Pg. 73
6	TSC-KDL	S	Pg. 72
7	TGH-01	C	Pg. 56
8	TSC-PSDS	S	Pg. 83
9	GUPT-F4H	T	Pg. 79
10	GUPT-F4HROT	T	Pg. 79
11	TWP-A2A	AA	Pg. 82
12	TTG-14	C	Pg. 90
13	TKR-01	A	Pg. 82
14	GUPT-M4H	T	Pg. 78
15	GUPT-FCLAMP-ANG	T	Pg. 84
16	TKC-0A	C	Pg. 84

MATERIALS	ADJUSTABILITY
A = Aluminum Alloy	A = Angular
AA = Aerospace Aluminum	R = Rotational
C = Carbon Graphite	S = Sliding
S = Stainless Steel	
T = Titanium	