

PRACTITIONER'S MANUAL

DAW Industries

COMMAND PLUS™

Polycentric Mechanical Stance Phase Lock
with Stance Flexion

Stock # THK-4PSSL

IMPORTANT:

Adjusting alignment beyond recommended limits described within will adversely affect patient's gait, and could cause premature wear.



HEADQUARTERS:

6610 Nancy Ridge Road
San Diego, CA 92121-2252
Orders: (800) 252-2828 • (858) 622-4962
Fax: (800) 856-8563
www.daw-usa.com

Technical Support
(800) 242-8669

CENTRAL/EASTERN

DISTRIBUTION CENTER:

5579-B Chamblee Dunwoody Road
Suite 227
Atlanta, GA 30338-4154
Orders: (800) 824-7192
Fax: (800) 865-8563



COMMAND PLUS™

Polycentric Mechanical Stance Phase Lock
with Stance Flexion

Stock # THK-4PSSL

For the Low to Moderately Active K3/K2 Individual

Benefits:

- ✓ Metatarsal load releases Stance Phase Lock
- ✓ Sit-EZ feature, sit down without taking a "half-step" Back
- ✓ Energy conserving pneumatic gait initiation
- ✓ Adjustable Stance Flexion
- ✓ Ultra-Lite Aerospace Alloy
- ✓ True Variable Cadence
- ✓ Forever-smooth stainless ball bearing axes
- ✓ Smooth Pneumatic "Hydraulic-Like" Function
- ✓ Trouble-Free, Zero Maintenance



IMPORTANT:

Read technical information thoroughly before using knee.



Lo-Pro Rotator™
(#: TKR-01)

Provides Rotational Adjustment
Attach any 4-Hole connector

Suggested L-Codes*: **L5984**



**4-Hole Female Pyramid w/ Rotation,
Titanium (#: GUPT-F4HROT)**
Provides Rotational Adjustment

Browse our complete selection of Unique Components at
daw-usa.com/all-connectors

Recommended K3 Foot



K3 Pro-Action™ Foot

Engineered for the low to moderately active K3 Individual

Provides 3 Dynamic Energy Returning Carbon Keel Options
& Multi-Axial Ankle Motion with Rotation.

Suggested L-Codes*: **L5981** **L5986**

*Please refer to the complete reimbursement disclaimer at www.daw-usa.com

Patient Notes

Contents

Page #

Recommended Order of Adjustments 1 (Below)

Build Height 2

Torque Settings 2

Alignment 3

Stance Flexion Adjustment 4

Extension Stop (Stability & Swing Phase Trigger Point) 5

Swing Phase Adjustments (Flexion & Extension Dampening 6

Extension Assist Adjustment 7

Replacing or Trimming the Extension Assist Spring 8

Helpful Hints 9

DAW Prosthetic Knee Limited Warranty 10

Specifications 11

Patient Notes 12

Popular Proximal Options (inside back cover)

ADJUSTABLE FUNCTIONS

Recommended Order of Adjustments

1. Stance Flexion
2. Extension Stop
3. Flexion Dampening
4. Extension Dampening
5. Extension Assist



For Technical Support call (800)242-8669

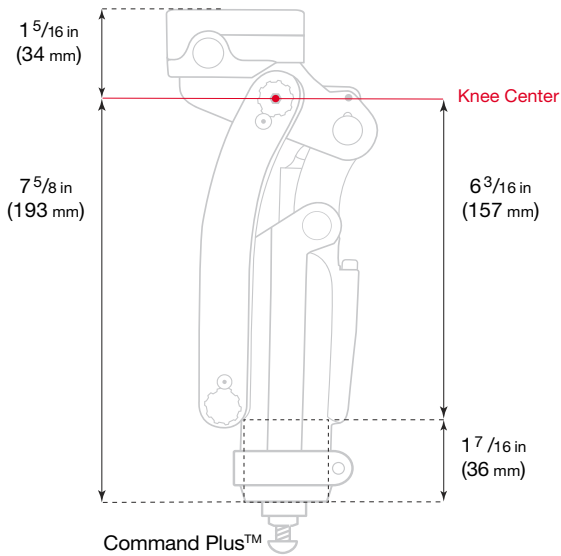
© Copyright 2021, DAW Industries, San Diego, CA - All Rights Reserved 01082021



For Technical Support call (800)242-8669

© Copyright 2021, DAW Industries, San Diego, CA - All Rights Reserved 01082021

BUILD HEIGHT

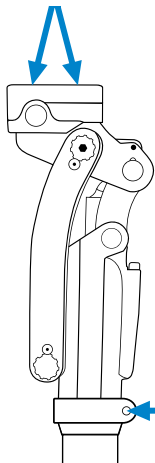


TORQUE SETTINGS

Important:

Use blue Loctite™ 242 on all screws referenced here.
 It is not recommended to use Ottobock Titanium Pylon.
 Do not use a spacer for height adjustment.
 Ensure pylon is cut straight.
 It is recommended these torques be checked within 30 days and then 6 months after your delivery of this prosthesis.

M6 Fasteners for Proximal 4-Hole Connector (4mm hex)
7.4ft-lb (9.9Nm)



Pylon Clamp Screw (5mm hex)
11ft-lb (15Nm)

Specifications

Patient profile:

Body weight	Under 250lb (113kg)
Functional level	K3 / K2
Amputation level	Transfemoral

Knee Specifications:

Stock number	THK-4PSSL
Max weight limit	250lb (113kg)
Knee weight	2.25lb (1011g)
Swing controls	Separate Pneumatic Extension / Flexion Dampening & Extension Assist Adjustment
Stability controls	Polycentric Mechanical Stance Phase Lock & Stance Flexion Adjustment
Proximal connection	M6 threaded 4-hole or, Unthreaded single hole
Distal connection	30mm tube clamp
Warranty	2 years, upgrade for additional 3 years

DAW Prosthetic Knee Limited Warranty

The knee comes with a Limited Warranty for 2-years. It covers manufacturer defects (excluding wear & tear). An additional 3 years of warranty coverage can be purchased for +15% of the original cost of the knee. See full warranty statement at:

www.daw-usa.com/practitioner-resources/

Weight limit of this knee is 250lb (113kg)

Bumpers are not under warranty.

Tight screws and a straight cut of the tubing are a must. Not following recommended use of components, including weight limit and alignment, will void the warranty. Make sure to read all instructions enclosed with the knee unit.

All repairs on the knee module must be done by a factory-trained DAW technician. Any disassembly done on the knee during the warranty period(s) will void the warranty (excluding disassembly of the extension spring housing).

Service Under Warranty

For all component repairs call DAW Industries right away. We will ship a replacement knee the same day, which will become your patient's new knee. The replacement component is under warranty for the time remaining on the original component.

The overnight shipping charge will be credited upon receipt of the failed knee component.

Service Outside of Warranty

Knees not under warranty may be repaired by DAW. While any unwarranted knee is being serviced, DAW will provide a rental knee subject to availability. The DAW rental fee is listed in the price list under each knee. The rental fee covers the period DAW takes to complete the repair with ten (10) days allowed for shipping in both directions. The same rental fee will be charged every 30 days passed the initial rental fee period.

For any repair you must first contact our Technical Services at 1(800)242-8669. This will allow DAW to best understand the issue. Our Technical Support will immediately assess if the repair qualifies as a "minor" or "substantial" repair. A "minor" repair will be completed, as a courtesy, free of charge (you will just pay for return shipping). A "substantial" repair will be billed at a flat rate according to knee model. Upon return of your repaired knee, you will be invoiced for the repair charge, if any. When DAW receives the rental knee, your account will be credited for the value of the returned knee (Gold Preferred+ = FREE rental; Preferred = 33% off).

In the event your knee is unrepairable, you will be notified immediately. The rental must then be returned to DAW, 2nd day, within five (5) working days. The rental fee may be applied toward the purchase of a new DAW knee.

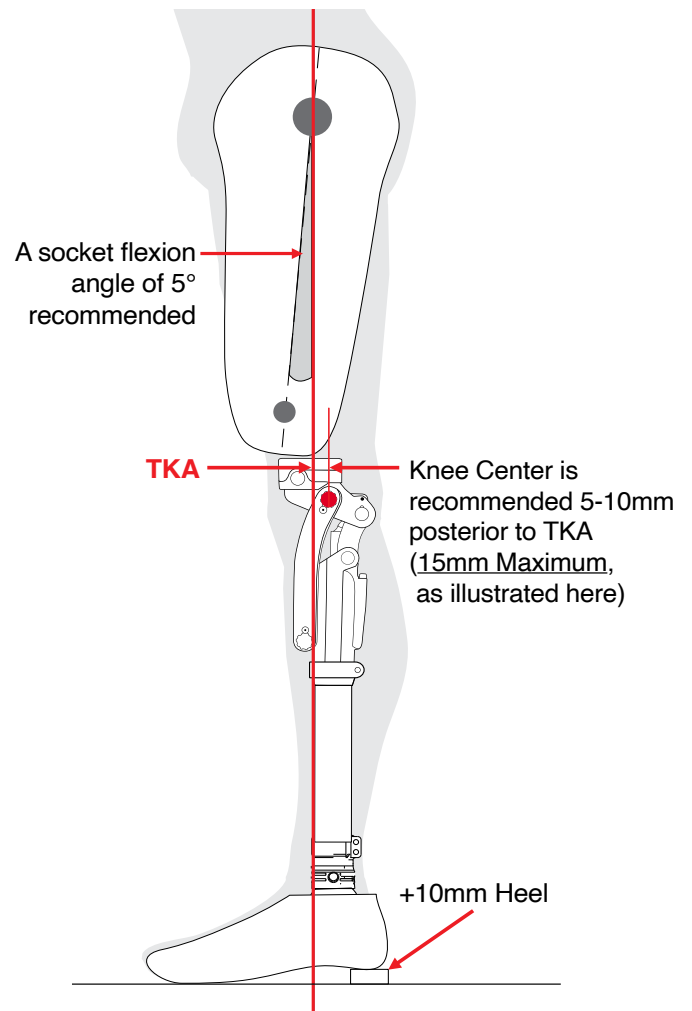


For Technical Support call (800)242-8669

© Copyright 2021, DAW Industries, San Diego, CA - All Rights Reserved 01082021

RECOMMENDED BENCH & STATIC ALIGNMENT

Standard alignment procedure must be observed to obtain the maximum benefits offered by this knee. All alignment references should be taken from the center of the anterior superior knee axis (commonly referred to as the Knee Center).



For Technical Support call (800)242-8669

© Copyright 2021, DAW Industries, San Diego, CA - All Rights Reserved 01082021

Adjusting Stance Flexion

Three sets of stance flexion springs of varying stiffnesses are provided with your Command Plus. Unless otherwise requested, the green, or medium stiffness, springs are factory installed. You may want to change springs based on the chart below:

Patient Weight	Color	Stiffness
under 150lbs	Red	Soft
151-200lb	Green	Medium
200-250lbs	Brown	Stiff

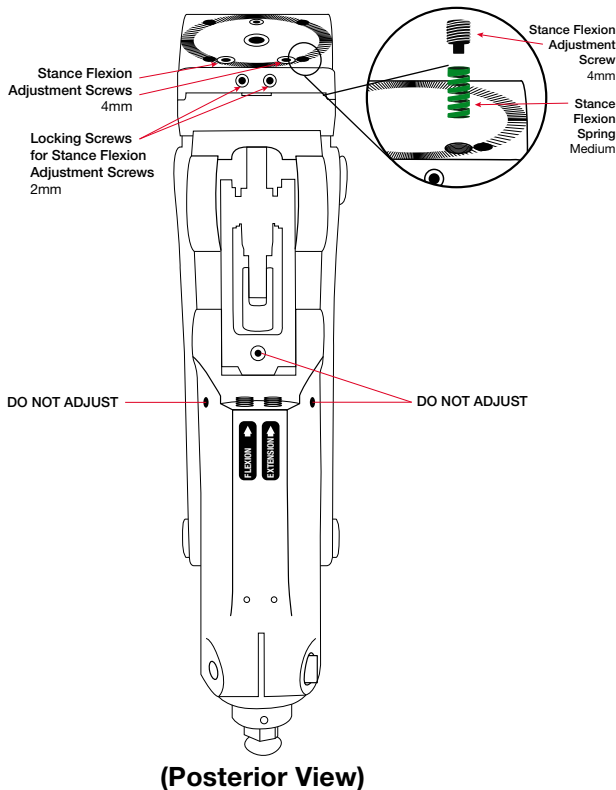
Stance Flexion Screws

The 4mm Stance Flexion Adjustment Screws provide fine adjustment. Turn:

Clockwise for less stance flexion.

Counterclockwise for more stance flexion.

NOTE: The Medium (green) spring is factory installed.



Helpful Hints

DO

- ✓ Use Loctite™ 242 on all screws that can come loose.
- ✓ Use a torque wrench when tightening all screws to the recommended torque setting.
- ✓ Use only the knee connector bolt supplied with the knee unit.
- ✓ Refer to this technical manual at all times.
- ✓ If you need additional help contact **Technical Support** at (800) 242-8669 with any questions.

DO NOT

- ✗ Force or “jimmy” any parts together, all components should fit together properly, contact Technical Support for assistance.
- ✗ Integrate with other manufacturers components the without first reviewing with Technical Support.
- ✗ Fit on patients in excess of knee’s max weight limit.
- ✗ Do any maintenance on this knee without first reviewing with DAW Industries.
- ✗ Disassemble any portion of this knee component (unless expressly described in this manual) as it will void the warranty.
- ✗ Use excessive powder inside of foam cover.

Replacing or Trimming the Extension Assist Spring

To replace the Extension Assist Spring :

- A. Completely remove the Pylon Clamp Screw (5mm hex).
- B. Remove the pylon.
- C. Flex the knee to full flexion.
- D. Using a 12mm wrench, or crescent wrench, twist the Lock Nut ① **clockwise**, the Spring Housing ② will extend out of the knee as you twist the Lock Nut.
- E. You can now pull the Spring ③ out of the Housing ②.
- F. Insert your new Spring ③ into the Housing ②.
- G. Unflex the knee to full extension and return the housing to the knee making sure the groove for the Pylon Clamp Screw lines up properly.

After returning the Pylon. Retighten Pylon Clamp Screw (5mm hex) to **11ft-lb (15Nm)**

To trim the Extension Assist spring?

Complete steps A. through E. above

Using a grinding wheel, trim one or two coils (maximum) off one end of the Spring. Smooth the trimmed end. Return the Spring to the housing, **trimmed end down**. Continue with step G. above.



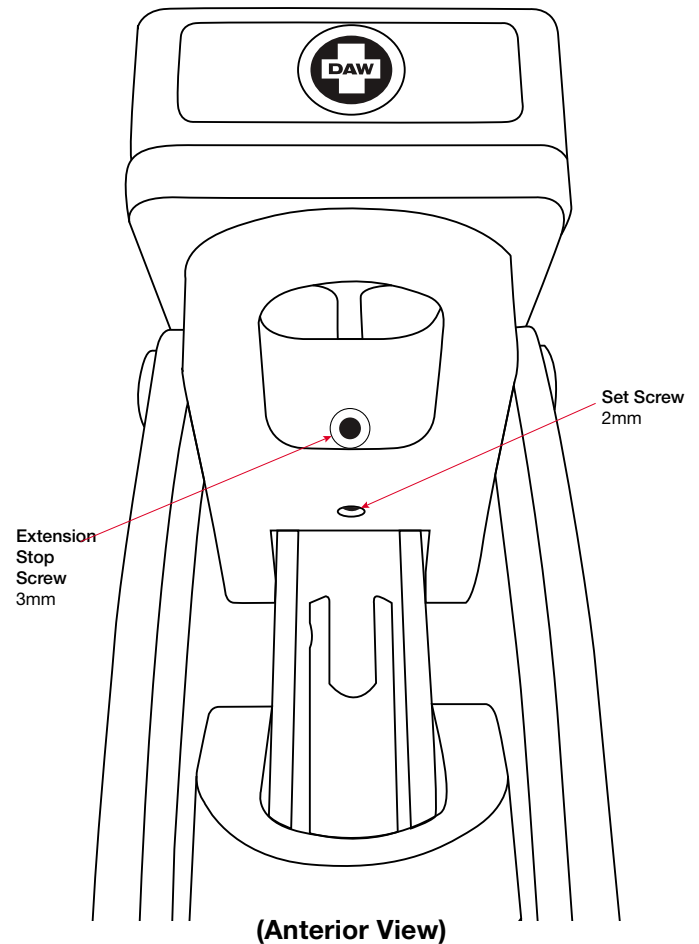
Adjusting the Extension Stop Bumper (Stability & Swing Phase Trigger Point)

The Mechanical Stance Phase Lock's release point, or Swing Phase "Trigger Point", can be adjusted to the patient's preference.

To vary the Swing Phase "Trigger Point":

- A. Flex the knee and loosen the Locking Set Screw (2mm hex).
- B. Adjust the Extension Stop Screw (3mm hex):
 - Clockwise** provides an earlier trigger point and slightly less stance phase stability
 - Counterclockwise** provides a later trigger point and more stance phase stability
- C. Retighten the Set Screw (2mm hex).

NOTE: This adjustment will affect socket flexion slightly.



Adjusting Swing Phase Controls

(Flexion & Extension Dampening)

Flexion Dampening Adjustment

Resistance to heel rise is accomplished by turning the Flexion Adjustment Screw (3mm Ball End Hex Key) located at the posterior surface of the knee. Turn the Flexion Adjustment Screw:

Clockwise to increase resistance.

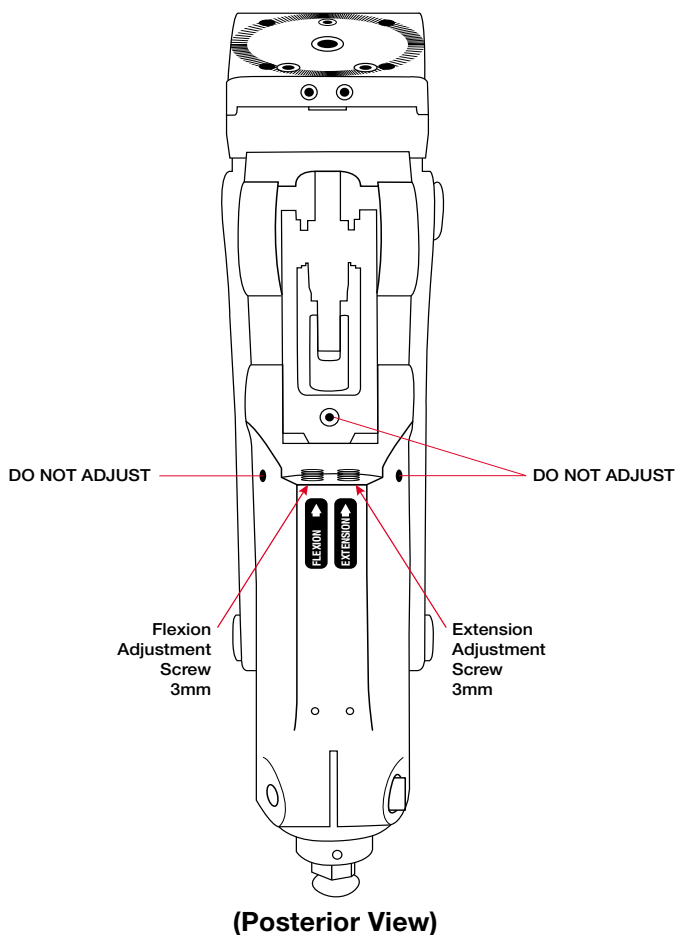
Counter-Clockwise to decrease resistance.

Extension Dampening Adjustment

Resistance to extension and terminal impact is accomplished by turning the Extension Adjustment Screw (3mm Ball End Hex Key). Turn the Extension Adjustment Screw:

Clockwise to increase resistance.

Counter-Clockwise to decrease resistance.



Adjusting Extension Assist

To Adjust Extension Assist:

- Loosen the Pylon Clamp Screw (5mm hex) and remove the Pylon
- Loosen the Lock Nut (12mm wrench)
- Turn the Extension Assist Control Screw (5mm hex):
 - Clockwise** to increase extension assist
 - Counter-clockwise** to decrease extension assist
- Re-tighten the Lock Nut, **Hand Tighten** (12mm wrench). After returning the pylon, re-tighten Pylon Clamp Screw to **11ft-lb (15Nm)**.

